



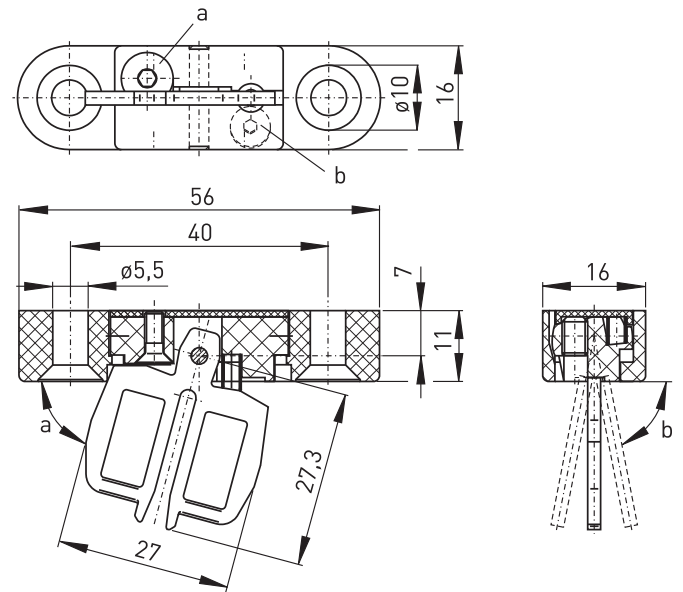
Accessories for Ex AZ 16 Flexible actuator AZ 15/16-B6 Material no.: 1175024 (material no. old: 01.08.0218)

Product features



- Actuating radius on hinged guards $a = 25$ mm and $b = 38$ mm
- Axial misalignment $x = 11$ mm

Dimensions

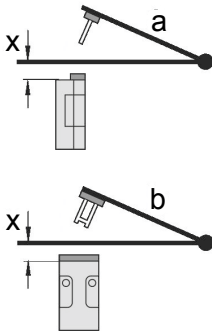


Errors and omissions excepted.



Accessories for Ex AZ 16 Flexible actuator AZ 15/16-B6 Material no.: 1175024 (material no. old: 01.08.0218)

Actuating radii



The axis of the hinge should be x mm above the top edge of the safety switch and in the same plane.

a = Actuating radius to the plane of the actuator

b = Actuating radius in line with the plane of the actuator

x = Axial misalignment

Attention! x must be referred to the surface of the enclosure and not to the inserted actuator!